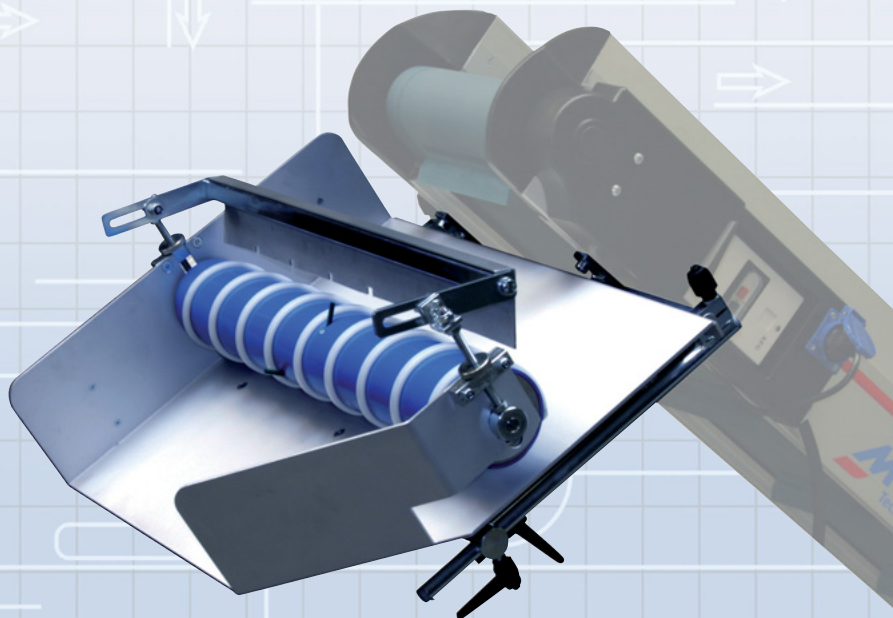
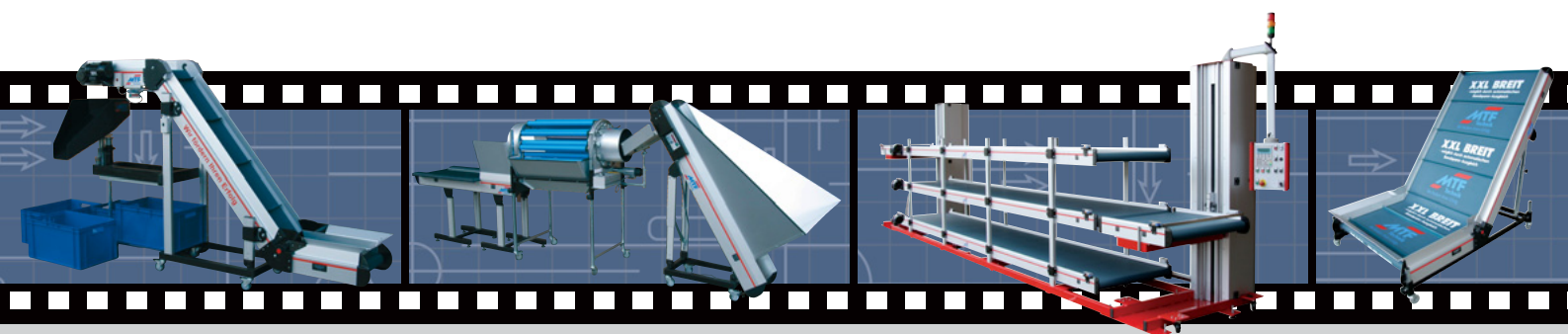
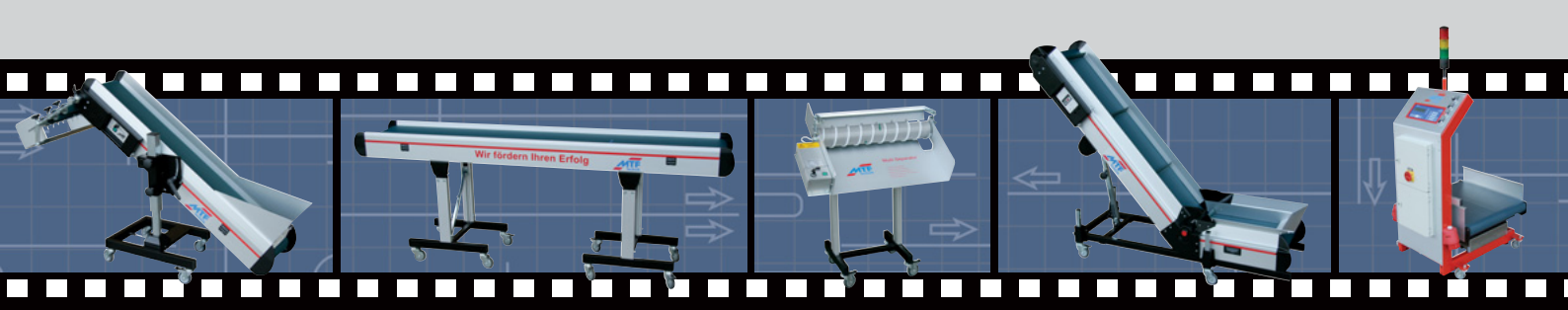


FROM THE MTF SEPARATING PROGRAMME: FOR SEPARATION SHOT BY SHOT



SEPARATOR SAL 600





The **MTF Separating Roller Attachments of Type TA** and **Screw Separating Attachments of Type SAL/SAR** are components of the Multi-Tech Programme and are designed for being attached to all conveyor belts of the Multi-Tech series. The drive is realised by an integrated drum motor with own control.

The attachments are mostly used for plastic die casting in order to separate the die casting components from the sprues sparing the manual sorting.

Due to their sophisticated construction they can be adapted quickly to varying part dimensions.

Benefits

- Easy, comfortable adjustment to different part geometries
- Simplest operation
- Fast refitting possible without any tools
- Perfect separating results due to the exact adjustment of the separating rollers and screw profiles
- Polyester scraper above the screw roller prevent the parts or sprues from being pulled over the screw roller
- Fast and easy attaching and dismantling of the separating attachments at the conveyor belt; this also applies to the replacement of complete units
- Easy attachment to existing Multi-Tech conveyor belts
- Wear-free drive of the separating attachments through drum motor
- Highest operational safety by avoiding feeder spots and using intelligent shut-off electronics
- Short terms of delivery



SEPARATOR TA 400-3

Technical data

- Drum motor with torque watch, performance 30W, connection 230V/50Hz
- 7 levels of revolution speed between 15 and 92 rpm
- Separating attachments with 1,2 or 3 separating rollers with different coatings
- Screw roller carrier of PVC with free or fixed screws of different materials; available in various heights
- Available for nominal widths of conveyor belts of up to 600mm
- Screw separating attachment can be equipped with spikes for loosening up goods that jam easily

