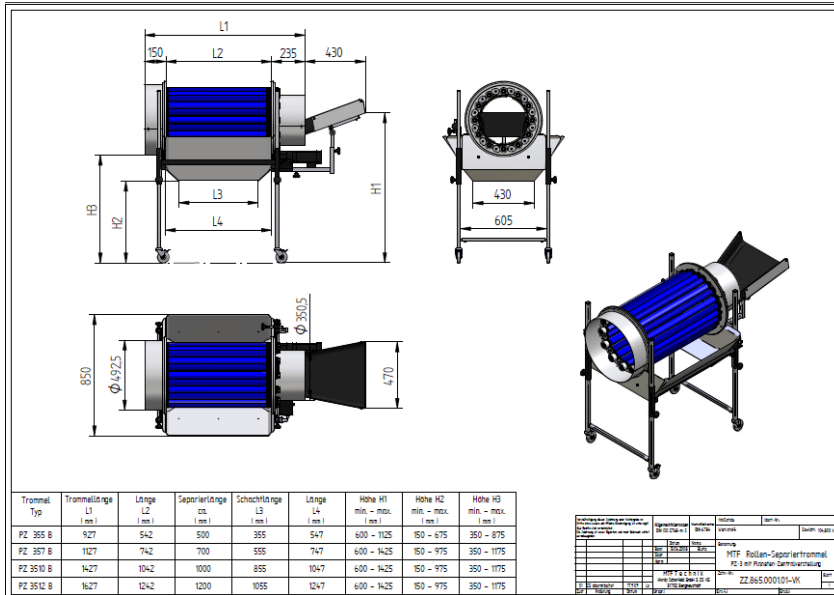


PZ 3

Separating Drum with Planetary Central Adjustment



Samples available	
Cycle Time (s)	
No. of parts per shot (pcs.)	
No. of runners per shot (pcs.)	
Type of Separation	
Separating Length (mm)	
Separation Roller Material	
Material Supply (in flow direction)	

OPTIONS*

Frequency Inverter for continuously adjustable drum rotation (2 to 10 rpm)	<input type="checkbox"/>
Reverse Control for continuously adjustable and reversible drum rotation	<input type="checkbox"/>
Fortified Carriage	<input type="checkbox"/>

Dust Cover, pluggable	<input type="checkbox"/>
Acoustic Hood	<input type="checkbox"/>

Notes / Special requirements

* further options available on request